

FPBXP7310GL-60D

10Gbps XFP Bi-Directional Transceiver, 60km Reach, TX1270nm/RX1330nm

Features

- ✧ Compliant to INF-8077-XFP MSA
- ✧ Data Rate from 9.95 Gbps to 11.3Gbps
- ✧ 1310nm DFB Transmitter, PIN Photodiode and TIA
- ✧ SM 9/125um up to 60Km
- ✧ Simplex LC connector
- ✧ Built-in digital diagnostic monitoring functions
- ✧ All-Metal housing for superior EMI Performance
- ✧ Power dissipation < 1.8W, Single 3.3V power supply
- ✧ Operating Case Temperature Standard: 0°C~+70°C
- ✧ Protocol-independent,XFI Interface
- ✧ Hot Pluggable
- ✧ ROHS6 Compliant



Applications

- ✧ SONET OC-192 SR-1&SDH STM I-64.1
- ✧ 10GBASE-LR/LW 10Gigabit Ethernet
- ✧ 10G Fiber Channel

PRODUCT DESCRIPTION

BXP7310GL-60D is hot pluggable 3.3V Small-Form-Factor transceiver module. It designed expressly for high-speed communication applications that require rates up to 11.3Gb/s, it

designed to be compliant with XFP MSA. The module data link up to 60Km in 9/125um single mode fiber. The optical output can be disabled by a LVTTTL logic high-level input of Tx Disable. Loss of signal (LOS) output is provided to indicate the loss of an input optical signal of receiver or the link status with partner.

Absolute Maximum Ratings

Parameter	Symbol	Min.	Typ.	Max.	Unit
Storage Temperature	Ts	-40		85	°C
Operating Case Temperature	Tc	-5		70	°C
Storage Ambient Humidity	HA	5		95	%
Operating Relative Humidity	RH			85	%
Supply Voltage	VCC	-0.3		4	V

Recommended Operating Conditions

Parameter	Symbol	Min.	Typ.	Max.	Unit
Ambient Operating Temperature	TBB _{ABB}	-5		70	°C
Supply Voltage	VCC3	3.15	3.3	3.45	V
Total Supply Current	IBB _{CCBB}			600	mA
Data Rate	BR	9.95	10.3	11.3	Gbps
Transmission Distance	TD			60	km

Electrical Characteristics

Parameter	Symbol	Min.	Typ.	Max.	Unit	Notes
Transmitter						
Input differential impedance	Ri		100		Ω	1
Differential data input swing	V _{in,pp}	120		820	mV	
Transmit disable voltage	VD	2		VCC3	V	
Transmit enable voltage	VEN	V _{ee}		V _{ee} +0.8	V	
Data dependent input jitter	DDJ			0.1	U	
Data input Total Jitter	TJ			0.28	U	
Receiver						
Differential data output swing	V _{out,pp}	300		850	mV	
Data output rise time,fall time	tr	24			P	2
Los Fault	VLOS fault	2		VCC3BB hostBB	V	3
Los Normal	VLOS	V _{ee}		V _{ee} +0.8	V	3

	norm					
Total Jitter	TJ			0.70	U	
Deterministic Jitter	DJ			0.42	U	

Notes:

1. Connected directly to TX data input pins, AC coupling from pins into laser drive
2. 20 – 80 % . Measured with Module Compliance Test Board and OMA test pattern. Use of four 1’s and four 0’s in sequence in the PRBS^9 is an acceptable alternative.
3. LOS is an open collector output. Should be pulled up with 4.7kΩ – 10kΩ on the host board. Normal operation is logic 0; loss of signal is logic 1. Maximum pull-up voltage is 3.6V

Optical Characteristics

Parameter	Symbol	Min.	Typ.	Max.	Unit	Notes
Transmitter						
Center Wavelength	λ_t	1260	1270	1280	nm	
Average Optical Power	P _{av}	2		5	dBm	
Extinction Ratio	ER		6		dB	
Spectral width				1	nm	
Eye diagram	Compliant with ITU-T G.691 eye mask and IEEE802.3ae eye mask					
Transmitter Dispersion Penalty	TDP			2	dB	
Relative Intensity Noise	RIN			-128	dB/Hz	
Receiver						
Center Wavelength	λ_R	1320	1330	1340	nm	
Receiver Sensitivity	RP _{sen}		-24	-23	dBm	1
Return Loss Tolerance				-12	dB	
Receiver Overload	RP _{max}	-7			dBm	2
LOS De-Assert	LOS _D			-26	dBm	
LOS Assert	LOS _A	-28			dBm	
LOS	High		2.0	VCC3+0 .3	V	
	Low		0	0.8		

Notes:

1. Measured with a PRBS 2³¹-1 test pattern @10.3125Gbps, BER ≤ 10⁻¹²
2. Receiver Overload specified in OMA and under the worst comprehensive stressed conditions

Pin function definitions

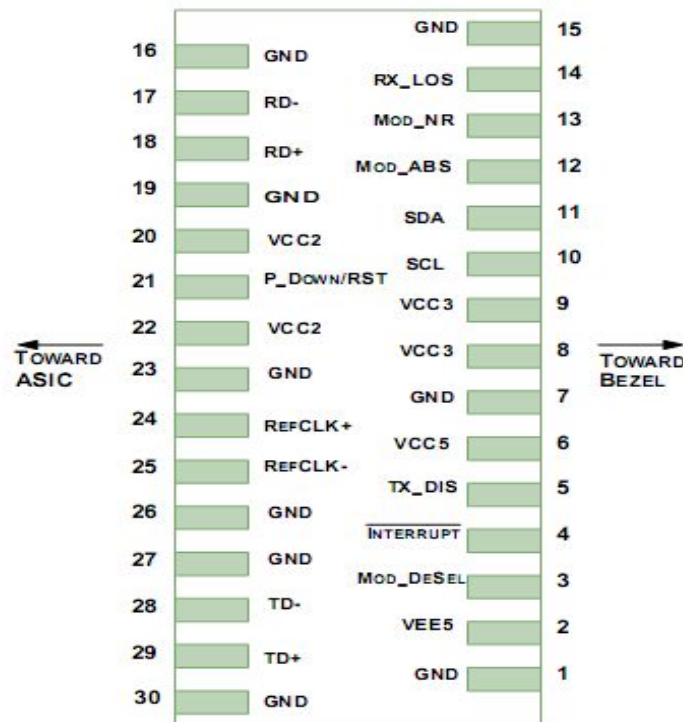


Figure 1 Host PCB XFP Pinout Top View

Pin	Logic	Symbol	Name/Description	Ref
1		GND	Module Ground	1
2		VEE5	Optional -5.2V Power Supply - Not required	
3	LVTTTL-I	Mod-Desel	Module De-select; When held low allows the module to respond to 2-wire serial interface commands	
4	LVTTTL-O	Interrupt	Interrupt (bar); Indicates presence of an important condition which can be read over the serial 2-wire interface	2
5	LVTTTL-I	TX_DIS	Transmitter Disable; Transmitter laser source turned off	
6		VCC5	+5V Power Supply- Not required	
7		GND	Module Ground	1
8		VCC3	+3.3V Power Supply	
9		VCC3	+3.3V Power Supply	
10	LVTTTL-I	SCL	Serial 2-wire interface clock	2
11	LVTTTLI/O	SDA	Serial 2-wire interface data line	2
12	LVTTTL-O	Mod_Abs	Module Absent; Indicates module is not present. Grounded in the module.	2
13	LVTTTL-O	Mod_Nr	Module Not Ready	2
14	LVTTTL-O	RX_LOS	Receiver Loss of Signal indicator	2

15		GND	Module Ground	1
16		GND	Module Ground	1
17	CML-O	RD-	Receiver inverted data output	
18	CML-O	RD+	Receiver non-inverted data output	
19		GND	Module Ground	1
20		VCC2	+1.8V Power Supply – Not required	
21	LVTTTL-I	P_Down/RST	Power Down; When high, places the module in the low power stand-by mode and on the falling edge of P_Down initiates a module reset	
			Reset; The falling edge initiates a complete reset of the module including the 2-wire serial interface, equivalent to a power cycle.	
22		VCC2	+1.8V Power Supply – Not required	
23		GND	Module Ground	1
24	PECL-I	RefCLK+	Reference Clock non-inverted input, AC coupled on the host board – Not required	3
25	PECL-I	RefCLK-	Reference Clock inverted input, AC coupled on the host board – Not required	3
26		GND	Module Ground	1
27		GND	Module Ground	1
28	CML-I	TD-	Transmitter inverted data input	
29	CML-I	TD+	Transmitter non-inverted data input	
30		GND	Module Ground	1

Notes:

1. Module circuit ground is isolated from module chassis ground within the module.
2. Open collector; should be pulled up with 4.7k – 10kohms on host board to a voltage between 3.15V and 3.6V.
3. A Reference Clock input is not required by the BXP7310GL-60D.

Recommended Block Circuit

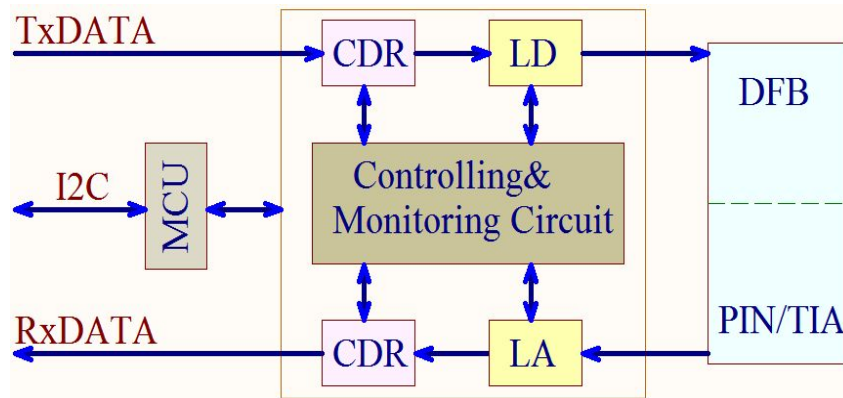


Figure 2 Block Diagram

Typical application circuit

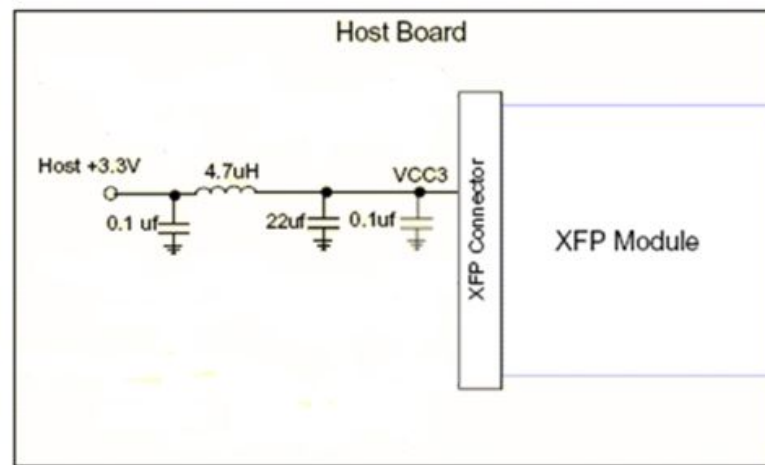


Figure 3 Example of Host Board Supply Filtering Network

Recommended High-speed Interface Circuit

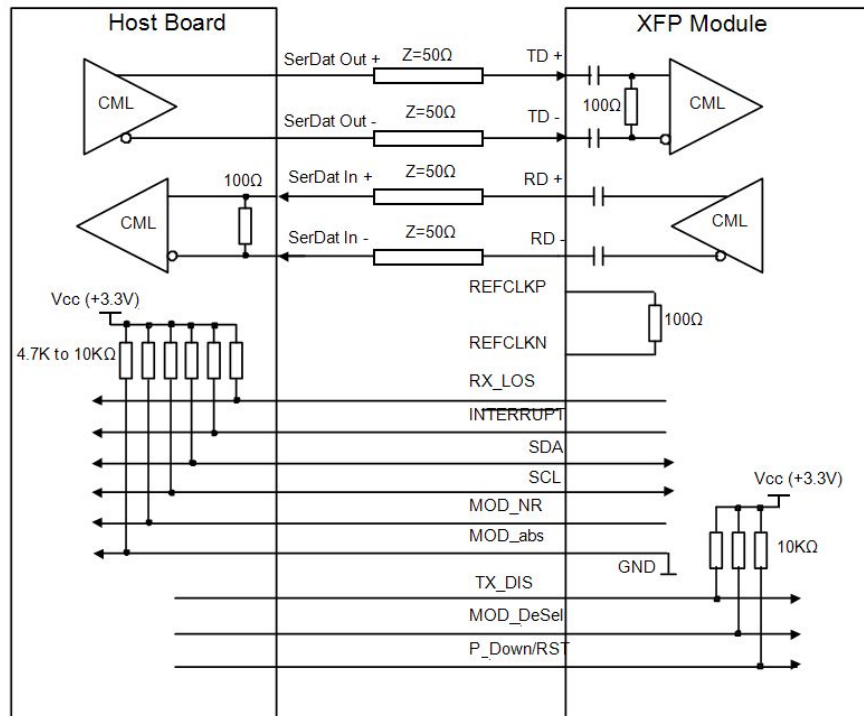


Figure 4 Example of High-speed Interface Circuit

Digital Diagnostic Functions

As defined by the XFP MSA, digital diagnostic functions are provided via a 2-wire serial interface, which allows

real-time access to the following operating parameters:

- ✧ Transceiver Temperature
- ✧ Tx Bias Current
- ✧ Tx Optical Power
- ✧ RX Received Optical Power
- ✧ Transceiver +3.3V Supply Voltage

It also provides a sophisticated system of alarm and warning flags, which may be used to alert end-users when particular operating parameters are outside of a factory-set normal range.

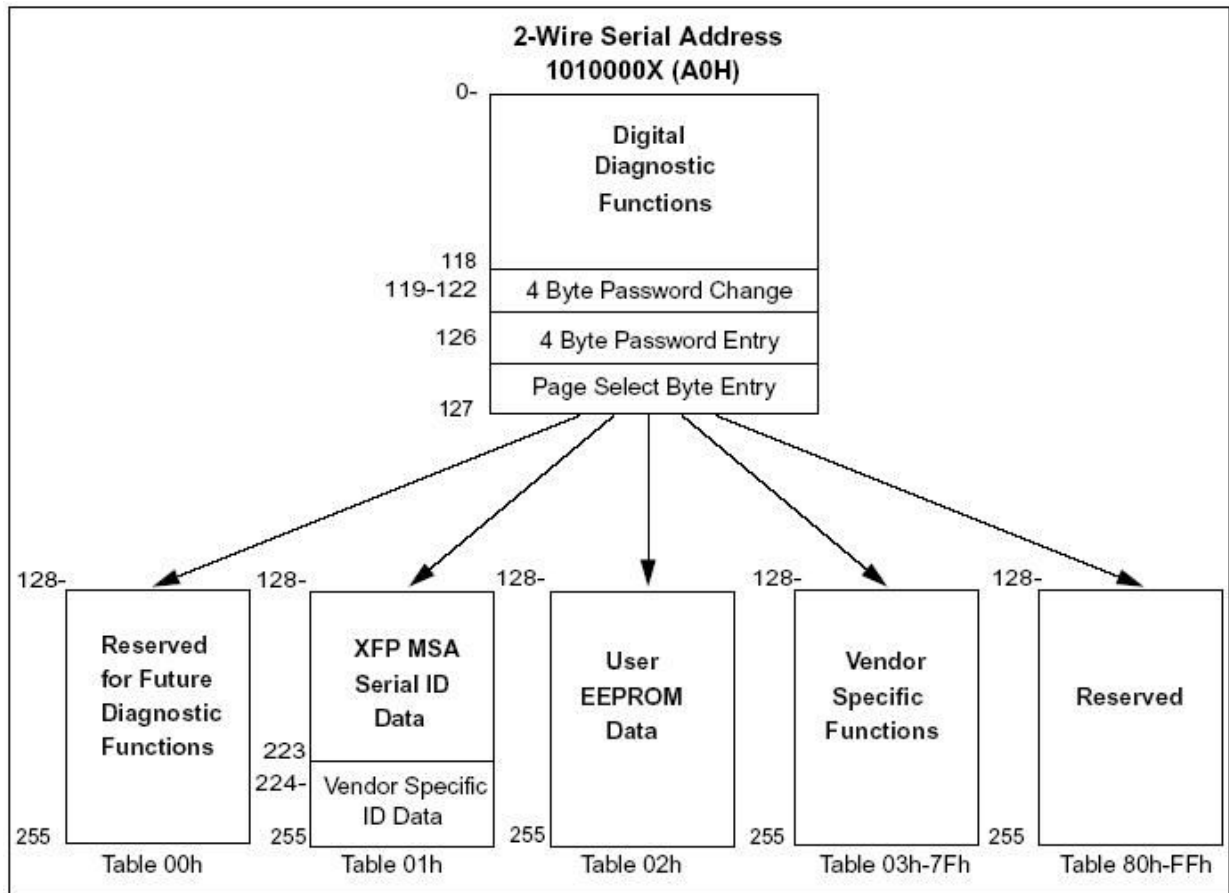
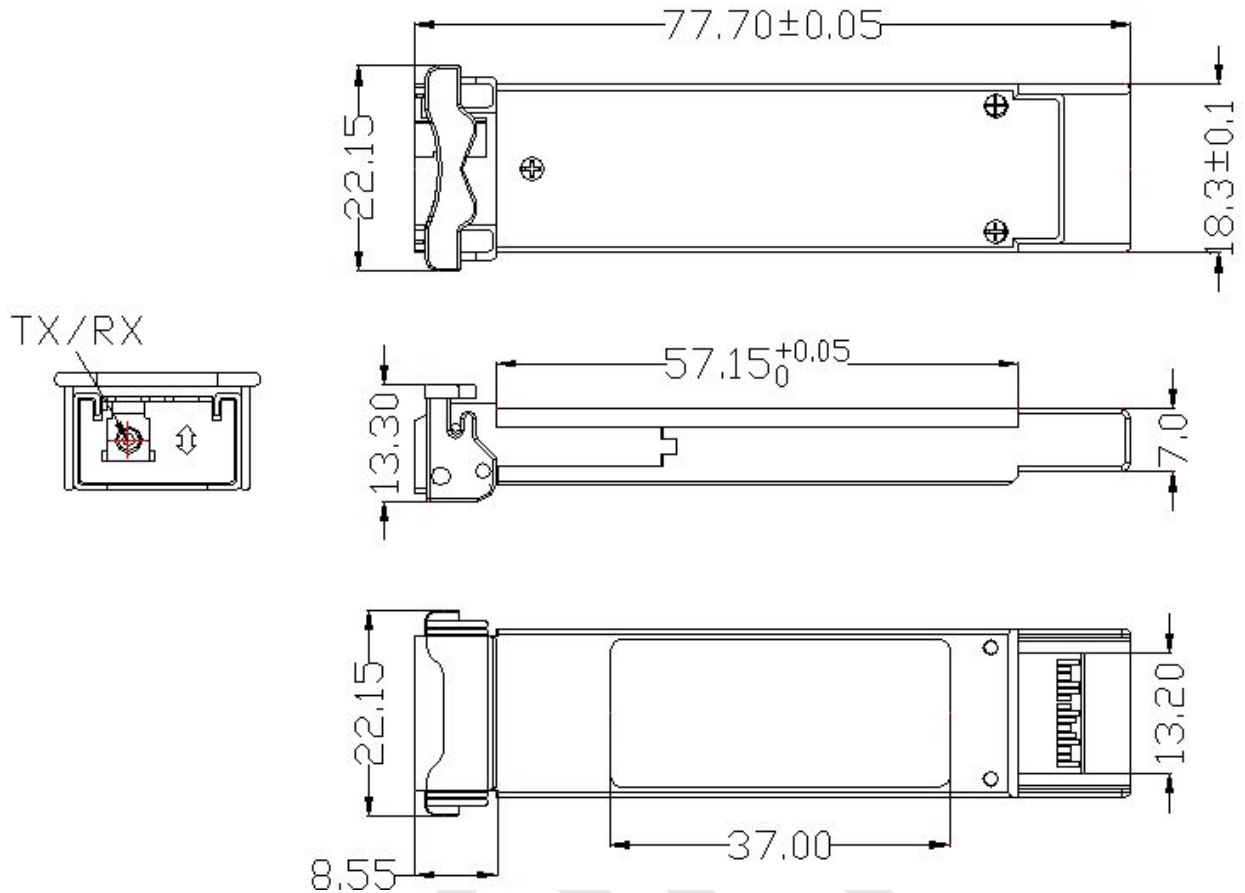


Figure 5 wire Serial Digital Diagnostic Memory Map

Mechanical Specifications



ESD

This transceiver is specified as ESD threshold 2kV for all electrical input pins, tested per MIL-STD-883, Method 3015.4 /JESD22-A114-A (HBM). However, normal ESD precautions are still required during the handling of this module. This transceiver is shipped in ESD protective packaging. It should be removed from the packaging and handled only in an ESD protected environment.

Ordering information

Part Number	Data Rate	Laser	Receiver	Distance	Interface	DDM	Temp.
FPBXP7310GL-60D	10Gbps	DFB	APD-TIA	60Km	LC	YES	C

*** 60D--- 60Km with SM 9/125um Fiber Transmission, with DDM/DOM Functional**

Notice

Performance figures, data and any illustrative material provided in this data sheet are typical and must be specifically confirmed in writing by Fiberpon before they become applicable to any particular order or contract. In accordance with the Fiberpon policy of continuous improvement specifications may change without notice. The publication of information in this data sheet does not imply freedom from patent or other protective rights of Fiberpon or others. Further details are available from any Fiberpon sales representative.