

FPSP311GL-XX

1.25G 1310nm Duplex SFP Transceiver Module

Features

- ✧ Operating data rate up to 1.25/1.063Gbps
- ✧ 1310 nm FP/DFB LD Transmitter
- ✧ Distance up to 80KM
- ✧ Single 3.3V Power supply and TTL Logic Interface
- ✧ Duplex LC Connector Interface
- ✧ Hot Pluggable
- ✧ Operating Case Temperature
 - Standard: 0°C~+70°C;Industrial:-40°C~+85°C
- ✧ Compliant with MSA SFP Specification
- ✧ Digital diagnostic monitor interface compatible with SFF-8472 and DDM optional



Applications

- ✧ Gigabit Ethernet Switches and Routers
- ✧ Fiber Channel Switch Infrastructure
- ✧ XDSL Applications
- ✧ Metro Edge Switching

Product Description

The FPSP311GL-XX series single mode transceivers is small form factor pluggable module for bi-directional serial optical data communications such as Gigabit Ethernet 1000BASE-LX and Fibre Channel 1x SM-LC-L FC-PI. It is with the SFP 20-pin connector to allow hot plug capability. This module is designed for single mode fiber and operates at a nominal wavelength of 1310 nm.

The transmitter section uses a multiple quantum well laser and is a class 1 laser compliant according to International Safety Standard IEC-60825. The receiver section uses an integrated InGaAs detector preamplifier (IDP) mounted in an optical header and a limiting post-amplifier IC.

The FPSP311GL-XXDI series are designed to be compliant with SFF-8472 SFP Multi-source Agreement (MSA) and Industry working temperature.

Absolute Maximum Ratings

Parameter	Symbol	Min.	Max.	Unit
Storage Temperature	TB _{SB}	-40	+85	°C
Supply Voltage	VB _{CCB}	-0.5	3.6	V

Recommended Operating Conditions

Parameter	Symbol	Min.	Typical	Max.	Unit
Operating Temperature	TB	0		+70	°C
	AB	-40		+85	
Power Supply Voltage	VB _{CCB}	3.15	3.3	3.45	V
Data Rate	Giga Ethernet		1.25		Gbps
	Fiber Channel		1.063		
Total Supply Current	IB _{CCB}			300	mA

PERFORMANCE SPECIFICATIONS - ELECTRICAL

Parameter	Symbol	Min.	Typ.	Max.	Unit	Notes
TRANSMITTER						
CML/PECL Inputs (Differential)	V _{in}	400		1800	mVpp	AC coupled inputs
Input Impedance (Differential)	Z _{in}	90	100	110	ohms	R _{in} > 100 kohms @ DC
Tx_DISABLE Input Voltage - High		2		3.45	V	
Tx_DISABLE Input Voltage - Low		0		0.8	V	
Tx_FAULT Output Voltage -- High		V _{cc} -0.5		V _{cc} +0.3	V	I _o = 400µA; Host V _{cc}
Tx_FAULT Output Voltage -- Low		0		0.5	V	I _o = -4.0mA

TX_Disable Assert Time	t _{off}			10	us	
TX_Disable Negate Time	t _{off}			1	us	
RECEIVER						
CML Outputs (Differential)	V _{out}	370		1800	mVpp	AC coupled outputs
Output Impedance (Differential)	Z _{out}	90	100	110	ohms	
Rx_LOS Output Voltage - High		V _{cc} -0.5		V _{cc} +0.3	V	I _o = 400μA; Host V _{cc}
Rx_LOS Output Voltage - Low		0		0.8	V	I _o = -4.0mA

Optical and Electrical Characteristics

Parameter		Symbol	Min.	Typical	Max.	Unit
9μm Core Diameter SMF	FPSP311GL-10XX			10		Km
	FPSP311GL-30XX			30		
	FPSP551GL-40XX			40		
	FPSP551GL-60XX			60		
	FPSP551GL-80XX			80		
Data Rate				1.25		Gbps
Transmitter						
Centre Wavelength		λ _{CB}	1260	1310	1360	nm
Spectral Width (RMS)		σ			3	nm
Average Output Power	FPSP311GL-10XX	PB _{outB}	-10		-3	dBm
	FPSP311GL-30XX		-7		-2	
	FPSP551GL-40XX		-5		0	
	FPSP551GL-60XX		-2		3	
	FPSP551GL-80XX		0		5	
Extinction Ratio		EX	9			dB
Output Optical Eye		IEEE 802.3ah				
Receiver						
Centre Wavelength		λ _{CB}	1260		1620	nm
Receiver Sensitivity	FPSP311GL-10XX	PIN			-20	dBm
	FPSP311GL-30XX				-21	
	FPSP551GL-40XX				-24	
	FPSP551GL-60XX				-26	
	FPSP551GL-80XX	APD			-32	

Output Differential Impedance			90	100	110	Ω
Data Output Swing Differential		$V_{B_{OUTB}}$	370		2000	mV
Receiver Overload		$P_{B_{max}}_{B-PIN}$	-3		0	dBm
		$P_{B_{max}}_{B-APD}$	-10			
Optical Rise/Fall Time		T_r/t_f		260	280	ps
LOS De-Assert	PIN	$LOS_{B_{DB}}$			-25	dBm
	APD				-34	
LOS Assert	PIN	$LOS_{B_{AB}}$	-35			dBm
	APD		-40			

SFP Transceiver Electrical Pad Layout

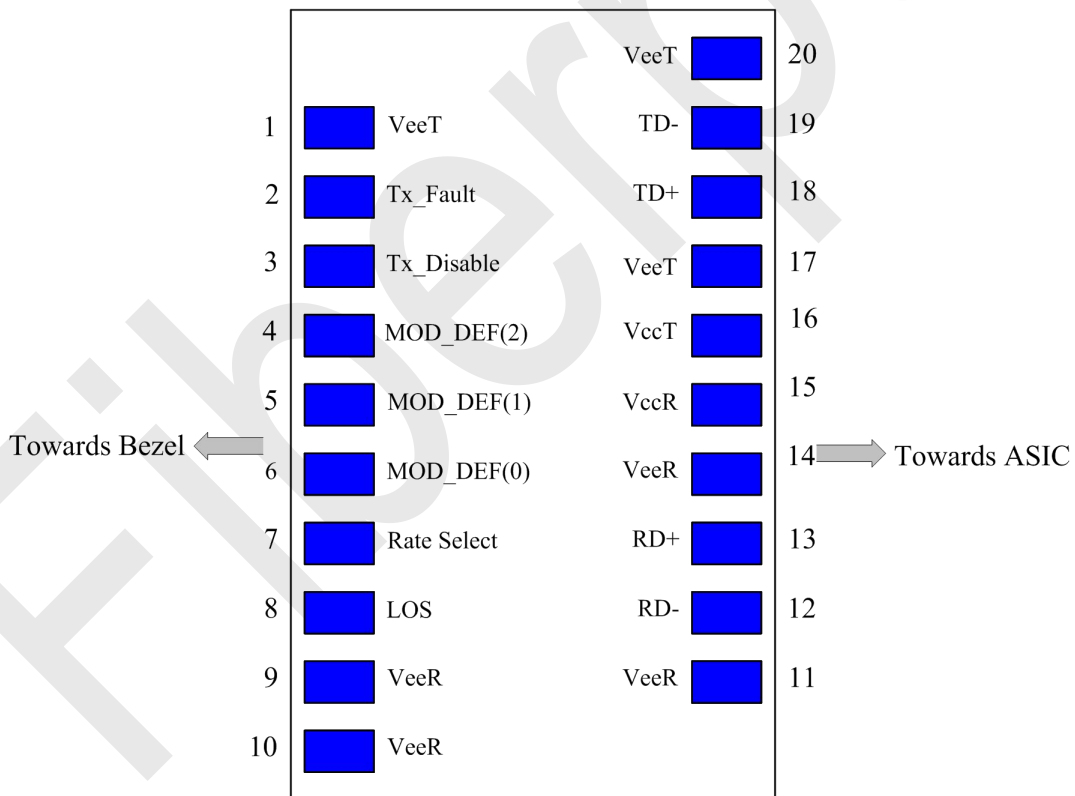


Figure 1 Transceiver pin descriptions

Pin Function Definitions

Pin Number	Name	FUNCTION	Plug Seq.	Notes
1	VeeT	Transmitter Ground	1	
2	TX Fault	Transmitter Fault Indication	3	Note 1
3	TX Disable	Transmitter Disable	3	Note 2, Module disables on high or open
4	MOD-DEF2	Module Definition 2	3	Note 3, Data line for Serial ID.
5	MOD-DEF1	Module Definition 1	3	Note 3, Clock line for Serial ID.
6	MOD-DEF0	Module Definition 0	3	Note 3, Grounded within the module.
7	Rate Select	Not Connect	3	Function not available
8	LOS	Loss of Signal	3	Note 4
9	VeeR	Receiver Ground	1	Note 5
10	VeeR	Receiver Ground	1	Note 5
11	VeeR	Receiver Ground	1	Note 5
12	RD-	Inv. Received Data Out	3	Note 6
13	RD+	Received Data Out	3	Note 7
14	VeeR	Receiver Ground	1	Note 5
15	VccR	Receiver Power	2	3.3 ± 5%, Note 7
16	VccT	Transmitter Power	2	3.3 ± 5%, Note 7
17	VeeT	Transmitter Ground	1	Note 5
18	TD+	Transmit Data In	3	Note 8
19	TD-	Inv. Transmit Data In	3	Note 8
20	VeeT	Transmitter Ground	1	Note 5

Notes:

1) TX Fault is an open collector/drain output, which should be pulled up with a 4.7K – 10KΩ resistor on the host board. Pull up voltage between 2.0V and VccT, R+0.3V. When high, output indicates a laser fault of some kind. Low indicates normal operation. In the low state, the output will be pulled to < 0.8V.

2) TX disable is an input that is used to shut down the transmitter optical output. It is pulled up within the module with a 4.7 – 10 K Ω resistor. Its states are:

◇ Low (0 – 0.8V): Transmitter on

- ✧ (>0.8, < 2.0V): Undefined
- ✧ High (2.0 – 3.465V): Transmitter Disabled
- ✧ Open: Transmitter Disabled

3) Mod-Def 0,1,2. These are the module definition pins. They should be pulled up with a 4.7K – 10K Ω resistor on the host board. The pull-up voltage shall be VccT or VccR (see Section IV for further details). Mod-Def 0 is grounded by the module to indicate that the module is present Mod-Def 1 is the clock line of two wire serial interface for serial ID Mod-Def 2 is the data line of two wire serial interface for serial ID

4) LOS (Loss of Signal) is an open collector/drain output, which should be pulled up with a 4.7K – 10K Ω resistor. Pull up voltage between 2.0V and VccT, R+0.3V. When high, this output indicates the received optical power is below the worst-case receiver sensitivity (as defined by the standard in use). Low indicates normal operation. In the low state, the output will be pulled to < 0.8V.

5) VeeR and VeeT may be internally connected within the SFP module.

6) RD-/+: These are the differential receiver outputs. They are AC coupled 100 Ω differential lines which should be terminated with 100 Ω (differential) at the user SERDES. The AC coupling is done inside the module and is thus not required on the host board. The voltage swing on these lines will be between 370 and 2000 mV differential (185 –1000 mV single ended) when properly terminated.

7) VccR and VccT are the receiver and transmitter power supplies. They are defined as 3.3V \pm 5% at the SFP connector pin. Maximum supply current is 300mA. Recommended host board power supply filtering is shown below. Inductors with DC resistance of less than 1 ohm should be used in order to maintain the required voltage at the SFP input pin with 3.3V supply voltage. When the recommended supply-filtering network is used, hot plugging of the SFP transceiver module will result in an inrush current of no more than 30mA greater than the steady state value. VccR and VccT may be internally connected within the SFP transceiver module.

8) TD-/+: These are the differential transmitter inputs. They are AC-coupled, differential lines with 100 Ω differential termination inside the module. The AC coupling is done inside the module and is thus not required on the host board. The inputs will accept differential swings of 500 – 2400 mV (250 – 1200mV single-ended), though

it is recommended that values between 500 and 1200 mV differential (250 – 600mV single-ended) be used for best EMI performance.

Digital Diagnostic Memory Map

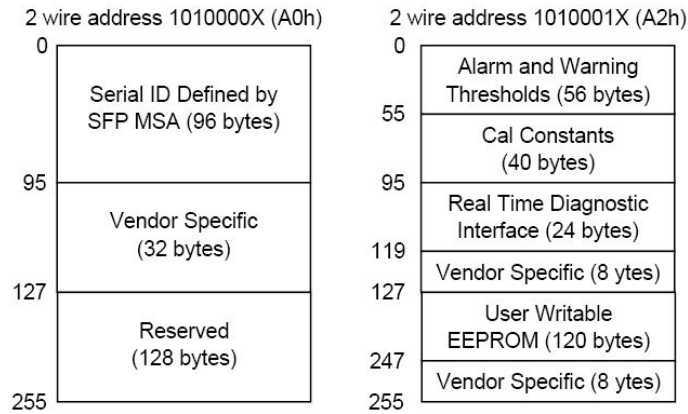


Figure 2 Digital Diagnostic Memory Map

Recommend Circuit Schematic

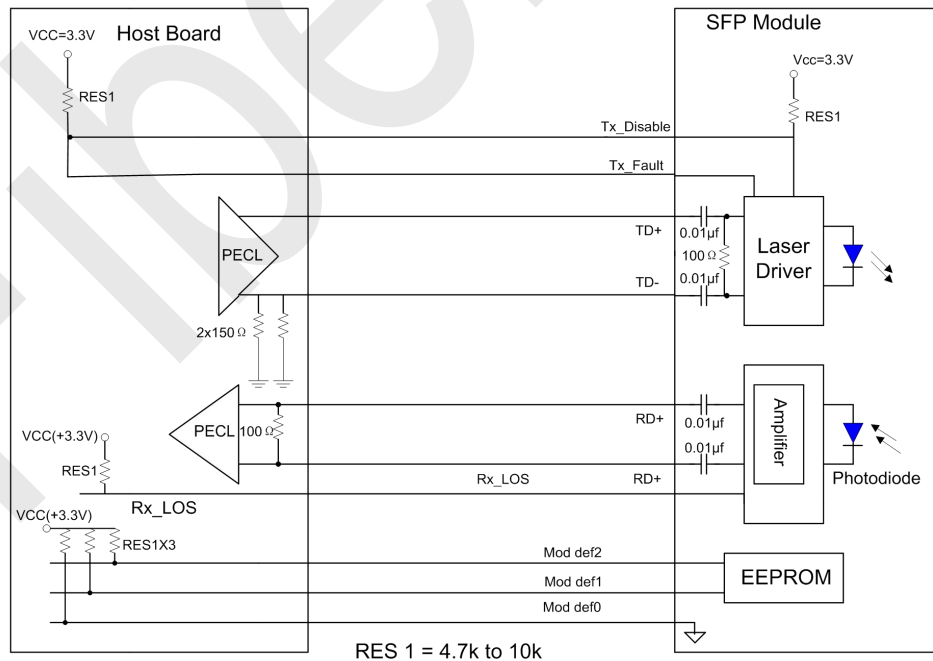
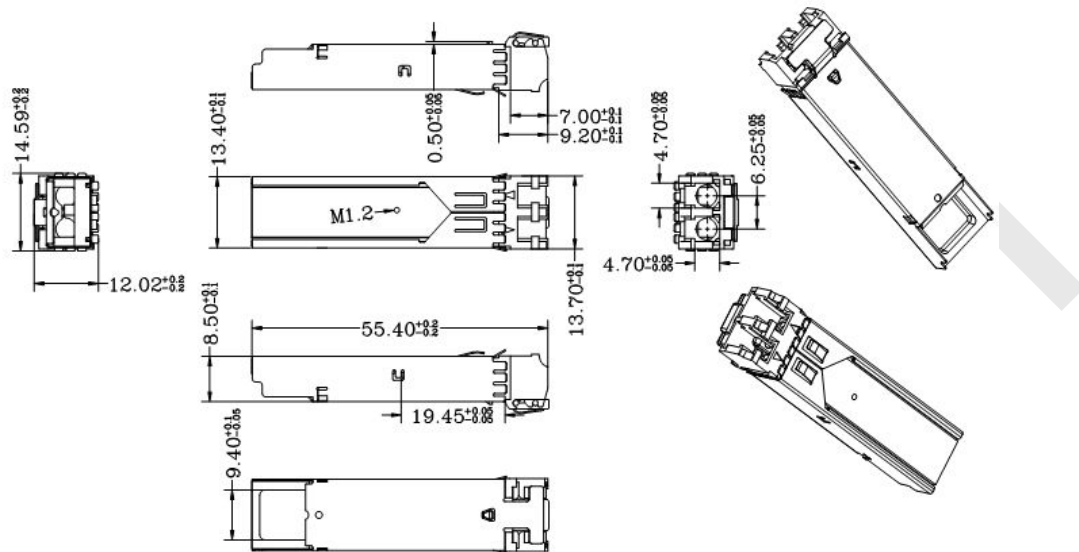


Figure 3 Recommend Circuit Schematic

Mechanical Specifications



Ordering information

Product Number	Data Rate	Laser	Receiver	Distance	Interface	DDM	Temp.
FPSP311GL-10	1.25Gbps	FP	PIN-TIA	10Km	LC	NO	C
FPSP311GL-10DI	1.25Gbps	FP	PIN-TIA	10Km	LC	YES	I
FPSP311GL-30D	1.25Gbps	FP	PIN-TIA	30Km	LC	YES	C
FPSP311GL-40DI	1.25Gbps	DFB	PIN-TIA	40Km	LC	YES	I
FPSP311GL-60D	1.25Gbps	DFB	PIN-TIA	60Km	LC	YES	C
FPSP311GL-80DI	1.25Gbps	DFB	APD-TIA	80Km	LC	YES	I

*I--- Industrial operating temperature

*C--- Commercial Temperature

*D--- DDM / DOM

Notice

Performance figures, data and any illustrative material provided in this data sheet are typical and must be specifically confirmed in writing by Fiberpon before they become applicable to any particular order or contract. In accordance with the Fiberpon policy of continuous improvement specifications may change without notice. The publication of information in this data sheet does not imply freedom from patent or other protective rights of Fiberpon or others. Further details are available from any Fiberpon sales representative.